

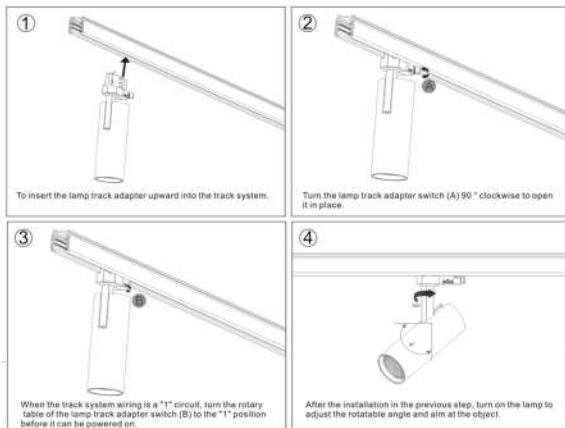
LED TRACK LIGHT
JM-4068 - Specification Sheet

Material	Aluminium
Dimensions (mm)	L70*Ø56.5*H205mm
Input voltage	220-240V
Wattage	10W
Function	ON/OFF 2
Color temperature	3000K - 4000K
LED	COB
CRI	>90
Power factor	>0.90
Driver	TUV approved/CE approved
Lifetime	30.000 h
IP Grade	IP 20
Beam angle	36°
Surface color	Sandy white / Sandy black

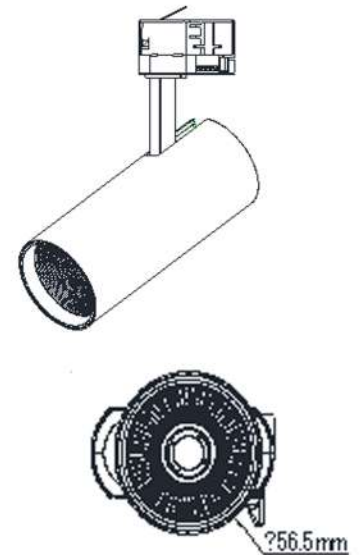


■ Sandy white / Sandy black

Instructions



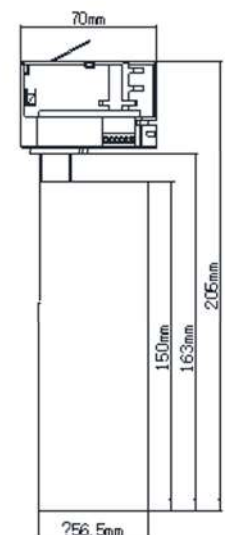
Size drawing



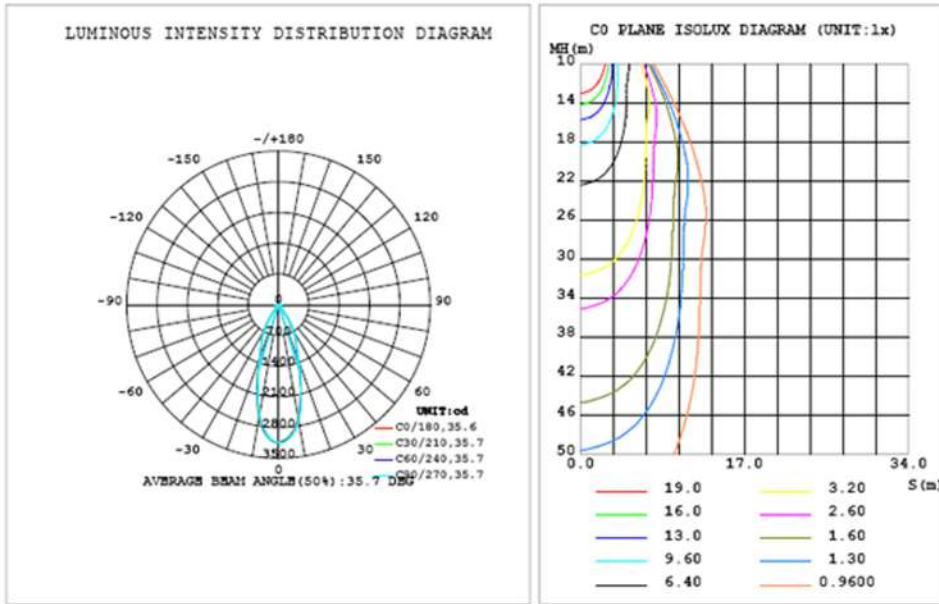
Protometric data

Test: U:221.20V I:0.0470A P:10.000W PF:0.9630 Freq:50.00Hz Lamp Flux:996.854x1 lm		
NAME: G26012-1	TYPE:	WEIGHT:
SPBC.:	DIM.:	SERIAL No.:
HFR.:	SUR.:	Shielding Angle:

DATA OF LAMP		PHOTOMETRIC DATA Eff: 99.69 lm/W			
MODEL		I _{max} (cd)	2746	S/MH (C0/180)	0.53
NOMINAL POWER (W)		LOR (°)	100.0	S/MH (C90/270)	0.51
RATED VOLTAGE (V)		TOTAL FLUX (lm)	996.85	η UP, DN (C0-180)	0.0, 51.5
NOMINAL FLUX (lm)	996.854	CIE CLASS	DIRECT	η UP, DN (C180-360)	0.0, 48.4
LAMPS INSIDE	1	η up (°)	0.0	CIBSE SHR NCM	0.50
TEST VOLTAGE (V)		η down (°)	100.0	CIBSE SHR MAX	0.50



Protometric data



C Range: 0 - 360DEG
 C Interval: 15.0DEG
 Test Speed: HIGH
 Temperature: 25.3DEG
 Operators: YU

Y Range: 0 - 100DEG
 Y Interval: 1.0DEG
 Test System: EVERFINE GO-2000B_V1 SYSTEM V2.0.402
 Humidity: 65.0%
 Test Distance: 8.000m [K=1.0000]

Application

