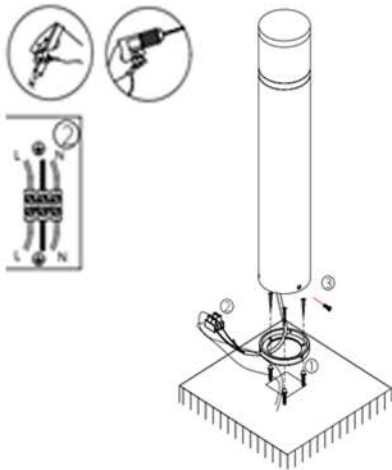


**LED GARDEN LAMP**  
**JM - 4604 - Specification Sheet**

Material	Metal + Glass
Dimensions (mm)	Φ103*H350mm
Input voltage	220-240V
Wattage	12W
Function	ON/OFF 2
Color temperature	3000K
LED	SMD 2835
CRI	>80
Power factor	>0.90
Driver	CE
Lifetime	50.000 h
IP Grade	IP 65
Beam angle	180°
Surface color	Sandy black / Sandy dark grey



**Instructions**



**Photometric data**

Test time: 04/05/2021 14:28

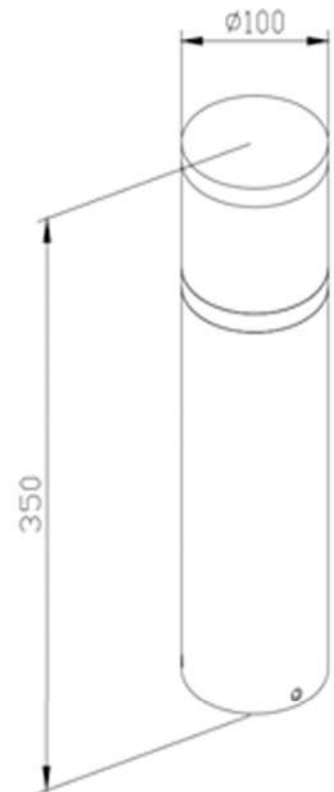
**Luminaire Property**

Luminaire Manufacturer:	Luminous Length (mm): 100
Luminaire Description: GR0215-350A	Luminous Height (mm): 75
Luminous Width (mm): 100	Current: 0.116 A
Voltage: 220.2 V	Power Factor: 0.483
Power: 12.41 W	

**Photometric Results**

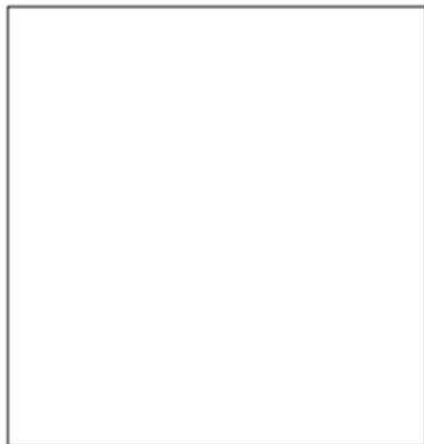
CIE Class: Indirect	Total Rated Lamp Lumens: 432.3 lm
Measurement Flux: 432.3 lm	Efficiency: 100%
Downward Ratio: 3%	Upward Ratio: 97%
Horizontal Diffuse Angle(50%): H0	
Vertical Diffuse Angle(50%): V0	
Luminaire Efficacy Rating (LER): 34.89	Central Intensity: 1.46 cd
Max. Intensity: 162.17 cd	Pos of Max. Intensity: H90 V140
S/MH(C0/C180): 2.39	S/MH(C90/C270): 2.26

**Size drawing**

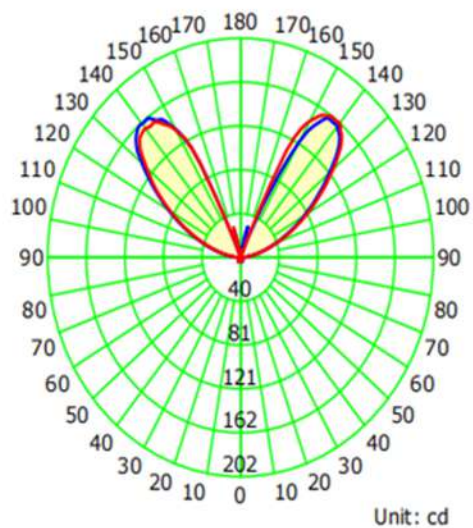


## Photometric data

Picture Of Luminaire



Luminous Intensity Distribution Curve



— C0-C180 — C90-C270

## Application

**LED Svetiljka**  
JM-4604

Idealna svetiljka  
za predstojeće letnje noći.

- ↓ **EPISTAR LED Svetlo**
- 🌿 **Snaga 3000K**
- ⚡ **3 godine garancija**

**LED**

**DAWN** LIGHT