

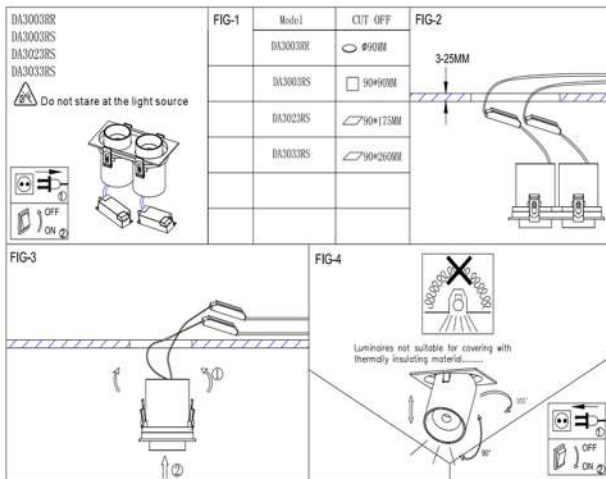
LED CEILING LAMP
JM - 4601 - Specification Sheet

Material	Aluminium
Dimensions (mm)	Ø100mm
Input voltage	220-240V
Wattage	12W
Function	ON/OFF
Color temperature	3000K
LED	CREE
CRI	>90
Power factor	>0.90
Driver	Eaglesire
Lifetime	50.000 h
IP Grade	IP 20
Beam angle	24°
Surface color	White / Black

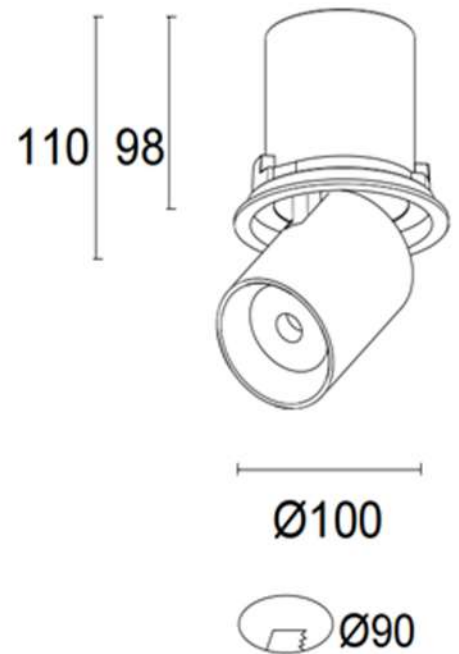


White / Black

Instructions



Size drawing



Photometric data

Luminaire Property

Luminaire Manufacturer:	Luminous Length (mm): 60
Luminaire Description: DA3003RR	Luminous Height (mm): 0
Luminous Width (mm): 60	Current: 0.109 A
Voltage: 220.1 V	Power Factor: 0.540
Power: 12.98 W	

Photometric Results

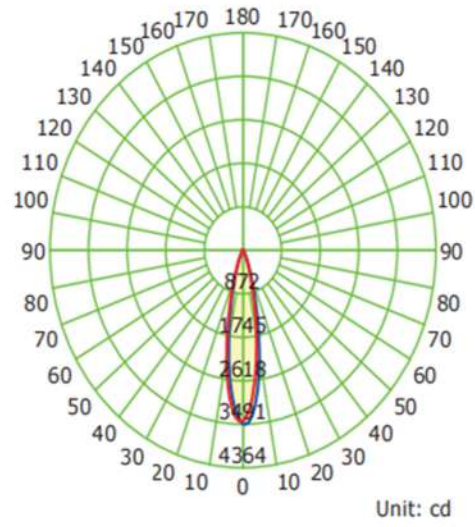
CIE Class: Direct	Total Rated Lamp Lumens: 698.7 lm
Measurement Flux: 698.7 lm	Efficiency: 100%
Downward Ratio: 100%	Upward Ratio: 0%
Horizontal Diffuse Angle(50%): H22.4	
Vertical Diffuse Angle(50%): V22.3	
Luminaire Efficacy Rating (LER): 53.88	Central Intensity: 3483.01 cd
Max. Intensity: 3491.44 cd	Pos of Max. Intensity: H0 V1
S/MH(C0/C180): 0.38	S/MH(C90/C270): 0.38

Photometric data

Picture Of Luminaire



Luminous Intensity Distribution Curve



— C0-C180 — C90-C270

Application

