

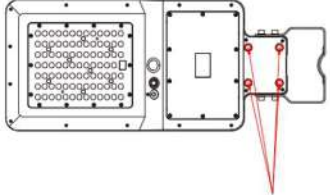


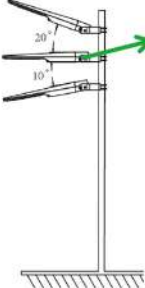
LED Reflector
LD SSL 40W Pro - Specification Sheet

Product model:	LD-SSL-40W-Pro
Wattage:	40W
Lumen:	4800LM
LED Type:	SMD 2835*90pcs
Solar Panel:	Mono-crystalline silicon (21W/13.5V)
LifePO4 battery:	32700/9.6V/12000mAh
Charging time:	8-10Hrs to fully charged under strong sunshine
Dimension(mm):	706.1*289.7*73.6mm
PIR Sensor range:	Angle 120°, Detection area 8-12M
Beam angle:	140x70° - TPIII
IP Class:	IP 65
Surface Color:	Black
Housing Material:	ABS+PC and Aluminium material, anti-UV
Working Temp:	-20C° - 60C°
Installation height:	3-6M

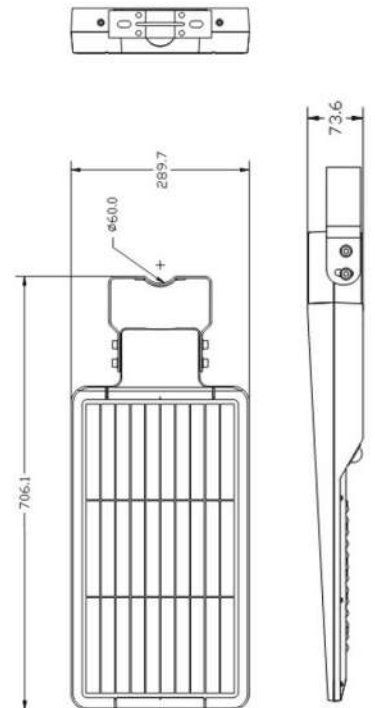




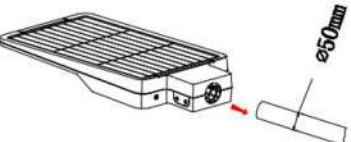
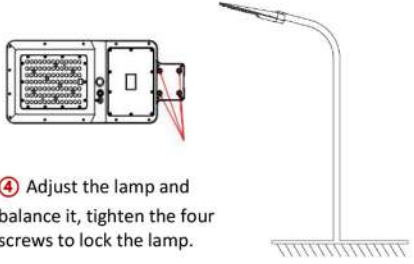
■ Black

Installation

 <p>① Before installation, make sure these 4 screws are tightened.</p>	 <p>② Remove the gaskets of small U-shaped brackets, then insert them to lamp bracket across the straight pole (applicable to the poles of $\Phi 50-60\text{mm}$).</p>
 <p>③ Tighten the screws to fix lamp onto the pole.</p>	 <p>Loosen the screws here to adjust angles.</p> <p>④ If any need, please loosen the screws at both sides of lamp to adjust the lamp angle, which is upward 20° and downward 10° adjustable, then tighten the screws of the lamp.</p>

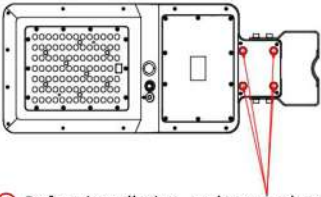
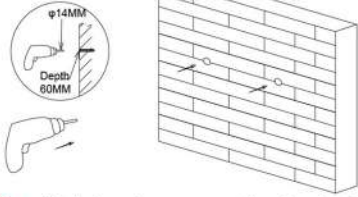
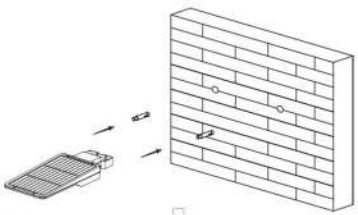
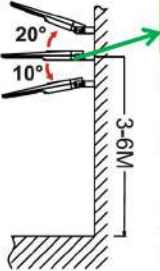
Size drawing



 <p>① Loosen the screws and remove the big U-shaped bracket.</p>	 <p>② Loosen the bottom screws to match the pole.</p>
 <p>③ Install the lamp on the pole (applicable to the poles of $\Phi 50\text{mm}$).</p>	 <p>④ Adjust the lamp and balance it, tighten the four screws to lock the lamp.</p>

Installation

(Customers need to prepare 2pcs expansion screws M10*60mm themselves.)

 <p>① Before installation, make sure these 4 screws are tightened.</p>	 <p>② Drill 2 holes of $\phi 14\text{mm}$ with a depth of 60mm and holes distance 104mm on the wall.</p>
 <p>③ Use 2 expansion screws to fix the lamp on the wall.</p>	 <p>Loosen the screws here to adjust angles.</p> <p>④ If any need, please loosen the screws at both sides of lamp to adjust the lamp angle, which is upward 20° and downward 10° adjustable, then tighten the screws of the lamp.</p>

Working modes




Lamp Button On/Off

Button control:
Please press the button on the lamp to select working modes.
Press 1st time for Mode A;
Press 2nd time for Mode B;
Press 3rd time for off.


Remote control:
Please press the button on the lamp firstly to activate the lamp, then use remote control to adjust demanded working mode.

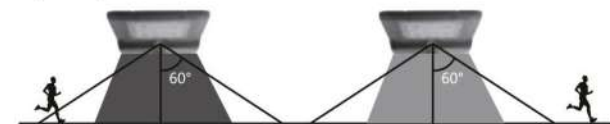
Mode A: Constant Lighting Mode

Press button on the lamp 1st time or  on the remote control, the lamp will automatically turn on at night and keep 60% brightness constantly for 4 hours(induction is invalid), then it turns to Sensor Mode.



Mode B: Sensor Mode

Press button on the lamp 2nd time or  on the remote control, the lamp will automatically turn on with 100% full brightness when motion is detected in the range $\leq 12\text{mtrs}$, then turns to weak brightness(30% brightness) in 20 seconds of no motion.



Remind:

- Above working modes are factory default settings, user can re-set it to: press button on the lamp 1st time for mode B and press 2nd time for mode A, meanwhile also can select different working time or brightness by remote control, after which it will automatically become the latest default working mode.
- Mode A and Mode B cannot be set to the Constant Lighting Mode at the same time, nor can they be set to the Sensor Mode at the same time.
- The lamp has memory function. After lamp restarted, it will continue to work in the latest default working mode.

Working modes

DIY Working Time and Brightness by Remote Control



Mode A: Constant Lighting Mode: time and brightness are both adjustable.

- 1) Press Constant Lighting Mode
- 2) Press Time 2H
- 3) Press Brightness 80%

The lamp will flash one time after press each button above, which indicates it's set successfully as below:

Lamp automatically turns on at night and keep 80% brightness for 2hrs, then it turns to Sensor Mode.

Mode B: Sensor Mode: only brightness(when activated by induction) is adjustable.

- 1) Press Sensor Mode
- 2) Press Brightness 60%

The lamp will flash one time after press each button above, which indicates it's set successfully as below:

Lamp automatically turns on with 60% brightness when motion is detected in the range ≤ 12 mtrs, then turns to weak brightness (30% of 60% brightness) in 20 seconds of no motion.

Features & Advantages

- Patent design, slim and modern type with durable performance.
- 3 optional installations: ① straight pole installation ② curved pole installation ③ wall mounted.
- Professional optical lens with beam angle $140^{\circ} \times 70^{\circ}$, wide lighting area and more brightness.
- SMD2835 chips high lumen & long daily use time by LiFePO4 battery, capacity 9.6V/12000mAh.
- High quality mono-crystalline silicon solar panel, high efficiency conversion solar power to electricity.
- Tilt down 5 degree design, better to get sunshine, helpful for solar panel clean and water drainage in rainy days.
- The lamp can be flexibly 20° adjustable upward and 10° adjustable downward, you can easily adjust it to best angle for solar charging.
- Scientific human induction design, wide angle detection, makes the body movement detection in large angle and longer distance.
- Diverse working modes are adjustable by remote control, you can DIY demanded working modes flexibly.

Cautions

1. The lamp button is power-off switch, lamp can get solar charged in any mode.
2. This is a solar powered lamp, please install it in a location where can get enough sunshine.
3. Please note the lighting time depends on the sunshine duration & weather.
4. Built-in intelligent IC is with over-charge, over-discharge and over-voltage protection.
5. The lamps get solar charged at day time, and light up automatically at dusk.
6. The lamp is equipped with an internal battery pack, which is replaceable. If any need, please contact seller for correct new battery pack.
7. Non-professionals please do not disassemble the lamp.
8. Please do not dispose the battery with household garbage to avoid explosion.

Application

