

**LED Rail Reflector
337201 - 1 30W - Specification Sheet**

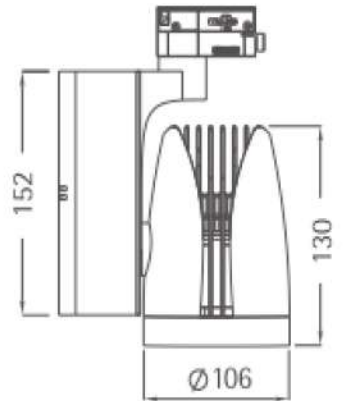
Material:	Aluminium
Painting:	Highly pure powder coating
System power (W):	30W
Fixture lumen output (lm):	3000
System efficiency (lm/W):	100
Light source:	LED Cob
Power:	30W
CCT:	3000K/4000K
CRI:	>90
Input voltage:	AC 220-240V
Beam Angle:	150°/24°/36°/50°
Surface Color:	White, Black, Silver
Net Weight:	1.12kg
QTY/CTN:	8PCS



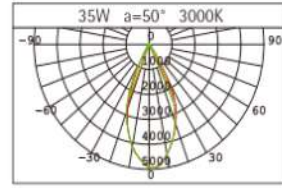
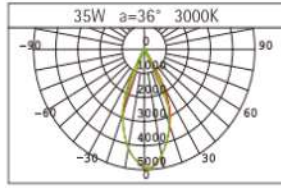
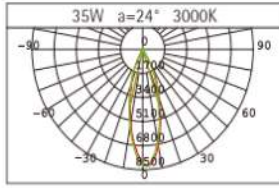
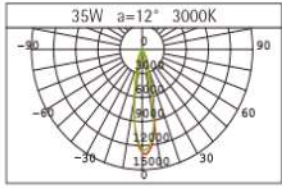
Description

Description:
Track light made of die-cast aluminium; surface powder coated in white, black or silver; COB (Chip on Board) technology for maximum efficiency; no multiple shadows; energy-efficient LEDs with very good colour rendering; binning initial ≤ 3 MacAdam; available in the light colours 3000K and 4000K; CRI ≥ 90 ; min. 80 % of the luminous flux after 50000 hours; BO 70 BASIC; high quality aluminium reflector with spherical facet finish; high-gloss anodised; precise radiation characteristic with four different beam angles installed and exchanged without tools; adapter for toolless insertion or movement on a variety of 3-phase power tracks; optional DALI

Size drawing



Photometric data



35W 12°

Lux			
h(m)	d(m)	Em	E _{max}
1	0.26	17512	25072
2	0.51	4378	6268
3	0.77	1946	2786

35W 24°

Lux			
h(m)	d(m)	Em	E _{max}
1	0.42	8723	13089
2	0.83	2181	3272
3	1.25	969	1454

35W 36°

Lux			
h(m)	d(m)	Em	E _{max}
1	0.57	5446	8245
2	1.14	1362	2061
3	1.71	605	916

35W 50°

Lux			
h(m)	d(m)	Em	E _{max}
1	0.87	3092	4943
2	1.75	773	1236
3	2.62	344	549



Application

