


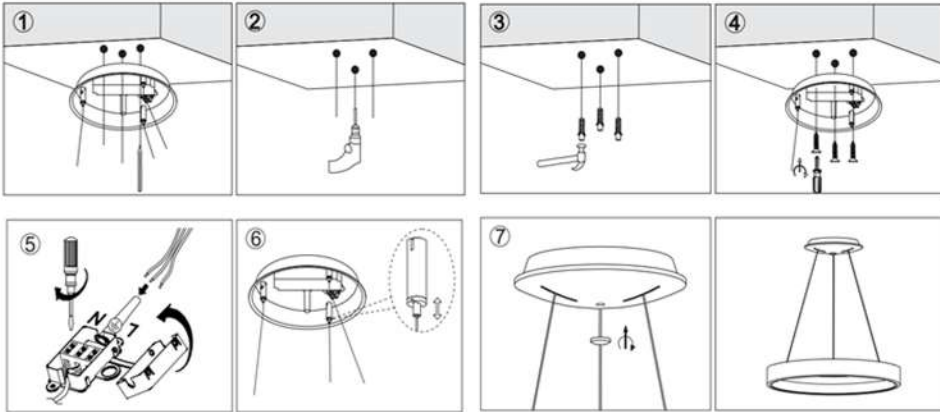
**LED Pendant Lamp**  
**Vesta 341/Vesta 342 - Specification Sheet**

Material:	Aluminum+Acrylic
Dimensions(mm):	Φ480*1500
Input voltage:	220-240V
Wattage:	40W
Function:	ON/OFF 2 CCT+Dip switch
Color temperature:	3000K+4000K
LED:	SMD 2835
CRI:	>80
Power factor:	>0.9
Driver:	TUV approved/CE approved
Lifetime:	30000h
IP grade:	IP 20
Beam angle:	120°
Surface color:	Sandy white/Sandy black
Warranty:	3 years

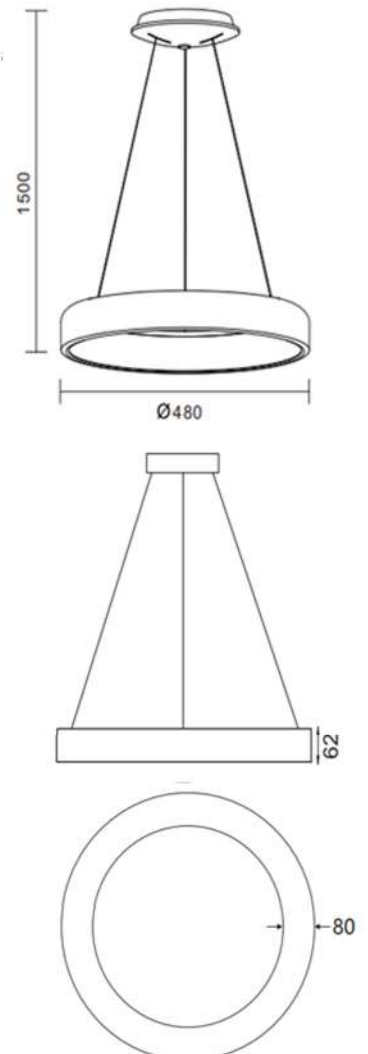


 Sandy white / Sandy black

**Instructions**



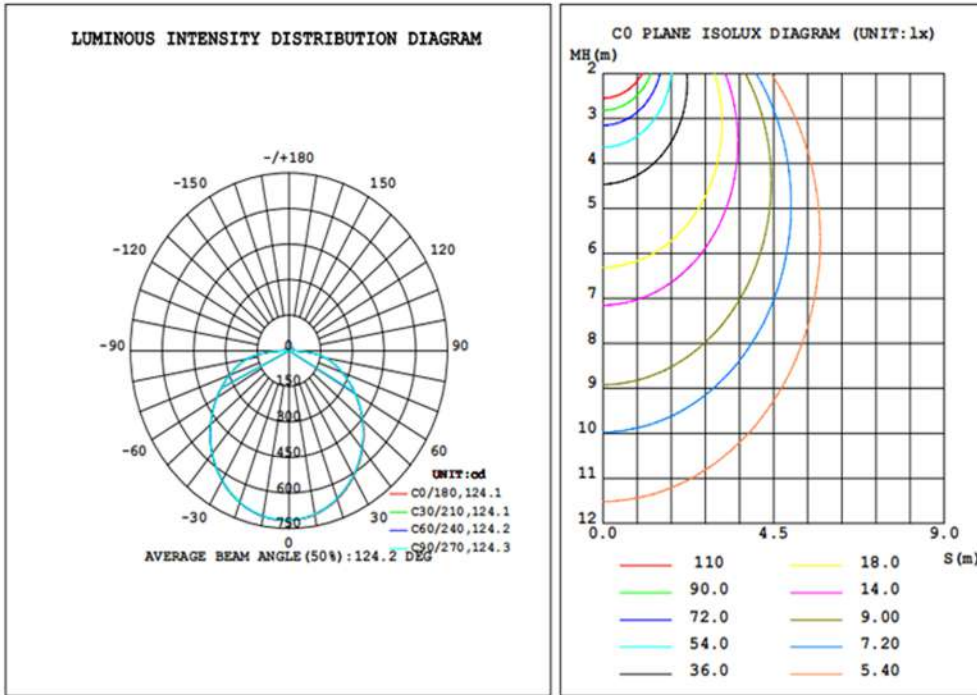
**Size drawing**



**Photometric data**

DATA OF LAMP		PHOTOMETRIC DATA			
MODEL	5304-840RP	Eff: 60.71 lm/W			
NOMINAL POWER (W)	40	I <sub>max</sub> (cd)	716.5	S/MH (C0/180)	1.31
RATED VOLTAGE (V)	220	LOR (%)	100.0	S/MH (C90/270)	1.31
NOMINAL FLUX (lm)	2435.66	TOTAL FLUX (lm)	2435.7	η UP, DN (C0-180)	1.0, 48.0
LAMPS INSIDE	1	CIE CLASS	DIRECT	η UP, DN (C180-360)	0.8, 50.2
TEST VOLTAGE (V)	220.0	η up (%)	1.8	CIBSE SHR NOM	1.50
		η down (%)	98.2	CIBSE SHR MAX	1.50

**Protometric data**



**Application**

